

TECHNICAL SPECIFICATION

Remote control (manual)



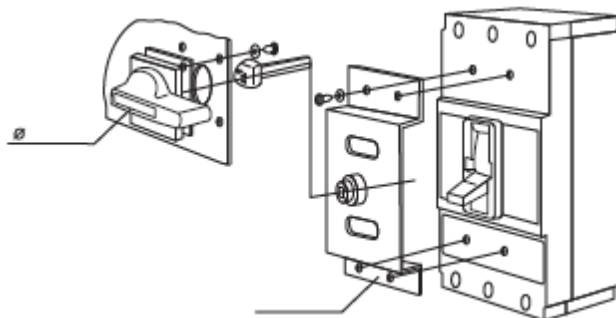
Description:

The device switches off/on the breaker to which manual operative rotary mechanism is mounted

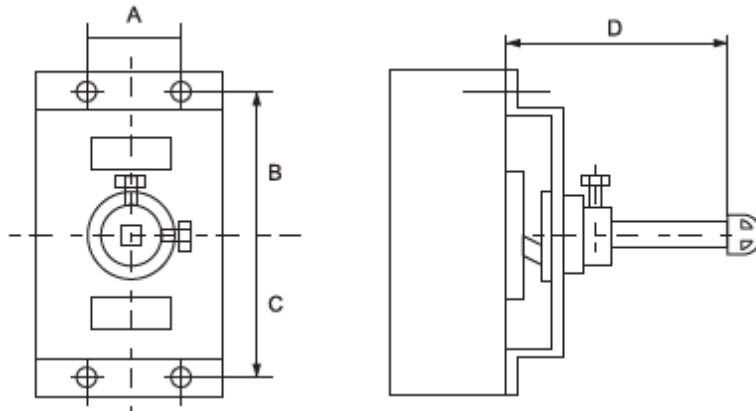
- two operating positions of the executive mechanism fixed at 90°

Mounting:

The base is mounted with bolts right on the cover (scheme 1 mounting), and the handle is mounted at the door of the distribution box, using an extension axis it is joined to the base



Dimensions:



- Remote control for MCCB, DS1

| Type of the breaker | Dimensions | | | | | Packing / Box (pcs) | Catalogue number |
|---------------------|------------|-----|-----|------|------|---------------------|------------------|
| | A | B | C | Dmin | Dmax | | |
| DS1 125A | 25 | 50 | 50 | 65 | 115 | 1 | 44967 |
| DS1 160A | 30 | 50 | 50 | 65 | 115 | 1 | 44968 |
| DS1 250A | 35 | 70 | 70 | 80 | 130 | 1 | 44969 |
| DS1 400A | 45 | 107 | 107 | 85 | 105 | 1 | 44970 |
| DS1 630A | 70 | 119 | 119 | 110 | 110 | 1 | 44971 |
| DS1 800A | 70 | 119 | 119 | 110 | 110 | 1 | 44972 |

- Remote control for MCCB, DS1 MAX

| Type of the breaker | Dimensions | | | | | Packing / Box (pcs) | Catalogue number |
|---------------------|------------|-----|-----|-------|------|---------------------|------------------|
| | A | B | C | D min | Dmax | | |
| DS1 MAX 63A | 25 | 50 | 50 | 65 | 115 | 1 | 44966M |
| DS1 MAX 125A | 25 | 50 | 50 | 65 | 115 | 1 | 44967M |
| DS1 MAX 250A | 35 | 70 | 70 | 80 | 130 | 1 | 44969M |
| DS1 MAX 400A | 45 | 107 | 107 | 85 | 105 | 1 | 44970M |
| DS1 MAX 630/800A | 70 | 119 | 119 | 110 | 110 | 1 | 44972M |